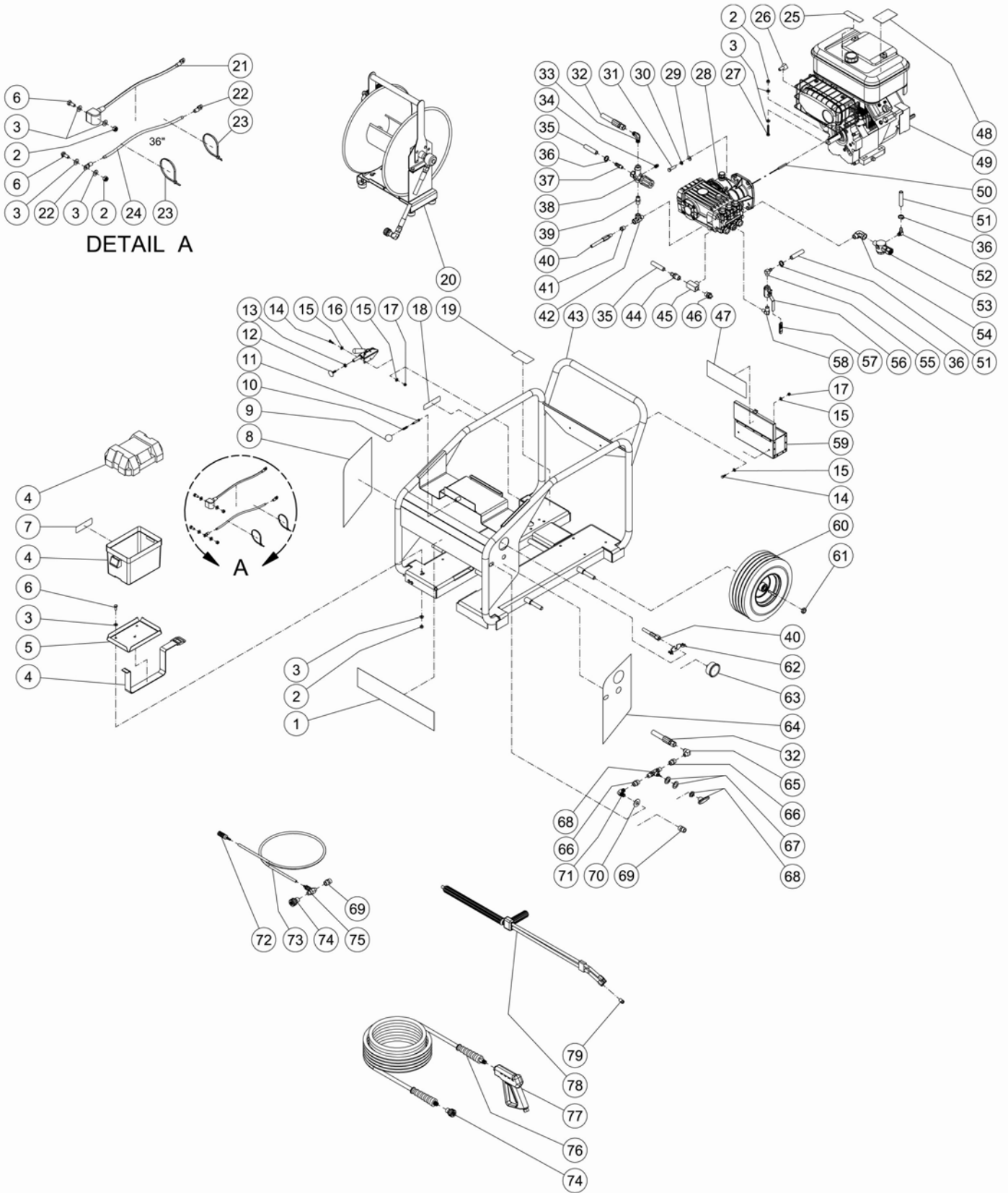


JM-3055 PARTS LIST

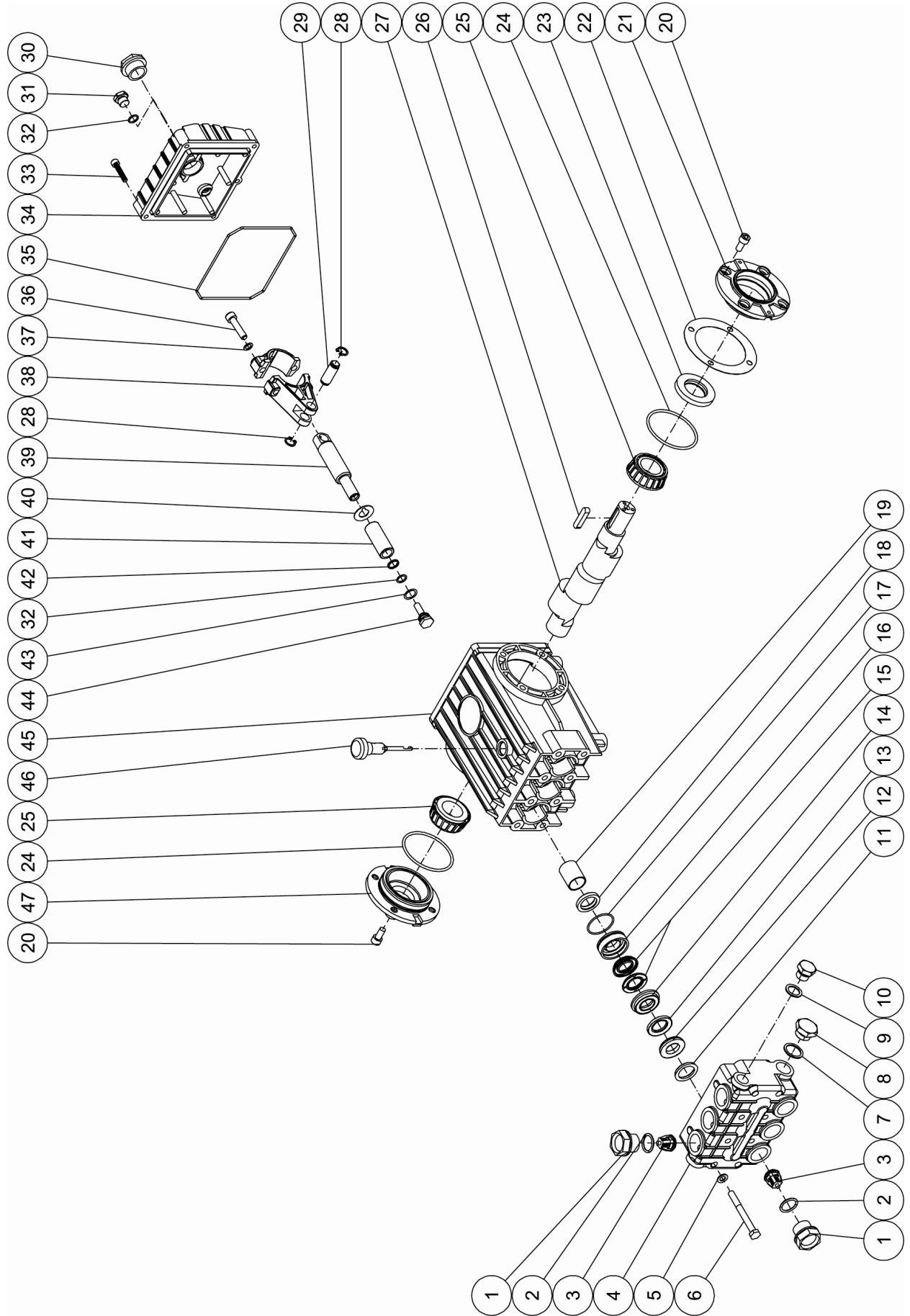
ITEM	DESCRIPTION	PART #	QTY	ITEM DESCRIPTION	PART #	QTY
1	DECAL - JM-3055 FRONT PANEL (SEE 71-0003)	N/A	1	41 REDUCER	JM23-0017	1
2	LOCKNUT	JM30-0157	8	42 STREET TEE	JM23-0058	1
3	WASHER	JM28-0003	16	43 FRAME - JM-3055	JM5-0306	1
4	BATTERY BOX	JM33-0092	1	44 HOSE BARB	JM23-0005	1
5	BATTERY RETAINER	JM20-0264A01	1	45 TEE	JM23-0235	1
6	BOLT	JM27-0066	4	46 RELIEF VALVE	JM22-0005	1
7	DECAL - RISK OF INJURY (SEE 71-0003)	N/A	1	47 DECAL - WARNING/OPERATION (SEE 71-0003)	N/A	1
8	DECAL - JM-3055 SIDE PANEL (SEE 71-0003)	N/A	1	48 DECAL- CAUTION: GASOLINE ONLY (SEE 71-0003)	N/A	1
9	BALL KNOB	JM7-0223	1	49 ENGINE	JM1-0200	1
10	SPRING	JM49-0165	1	50 KEY	JM43-0078	1
11	SHOULDER SCREW	JM27-0895	1	51 HOSE *(ONE FOOT REQUIRED)	JM15-0007	1
12	BOLT	JM27-9550	1	52 ELBOW	JM23-0119	1
13	NUT	JM30-0004	1	53 FILTER - WATER	JM19-0096	1
14	BOLT	JM27-0015	4	54 ELBOW	JM24-0006	1
15	WASHER	JM28-0002	8	55 ELBOW	JM23-0050	1
16	PUSH/PULL TOGGLE CLAMP	JM33-0400	1	56 BALL VALVE	JM22-0461	1
17	LOCKNUT	JM30-0155	4	57 HANDLE GRIP	JM7-0227	1
18	DECAL - WARNING RISK OF BURNS (SEE 71-0003)	N/A	1	58 ELBOW	JM24-0118	1
19	DECAL- SILVER STICKER	JM34-0075	1	59 COMPONENT TOOL BOX	JM20-1213A64	1
20	HOSE REEL	JM851-0390	1	60 WHEEL	JM14-0006	4
21	CABLE	JM32-9112	1	61 LOCKNUT	JM30-0117	4
22	TERMINAL RING	JM32-0097	2	62 U CLAMP	JM13-0211	1
23	CABLE TIE	JM33-0022	2	63 PRESSURE GAUGE	JM22-0465	1
24	CABLE *(THREE FEET REQUIRED)	JM32-0065	1	64 DECAL - JM-3055 CONTROL PANEL (SEE 71-0003)	N/A	1
25	DECAL - RISK OF BURNS (SEE 71-0003)	N/A	1	65 ELBOW	JM23-0426	1
26	TERMINAL PROTECTOR	JM33-0508	1	66 COUPLER	JM23-0077	2
27	BOLT	JM27-0071	4	67 WASHER	JM28-0051	2
28	PUMP - 3-0202 W/GEARBOX	JM3-0369	1	68 BALL VALVE	JM22-0462	1
29	WASHER	JM28-0022	4	69 SCREW NIPPLE	JM23-0494	2
30	LOCKWASHER	JM29-0008	4	70 WASHER	JM28-0050	1
31	BOLT	JM27-0119	4	71 ELBOW	JM24-0131	1
32	HIGH PRESSURE HOSE	JM15-0254	2	72 STRAINER	JM19-0050	1
33	ELBOW	JM24-0092	1	73 DETERGENT HOSE (SIX FEET REQUIRED)	JM15-0021	1
34	PLUG	JM24-0009	1	74 SCREW COUPLER	JM23-0490	2
35	HOSE *(TWO FEET REQUIRED)	JM15-0007	1	75 CHEMICAL INJECTOR	JM50-0052	1
36	HOSE CLAMP	JM42-0011	3	76 HOSE	JM15-0146	1
37	HOSE BARB	JM23-0120	1	77 GUN	JM16-0001	1
38	UNLOADER	JM8-0361	1	78 DUAL LANCE	JM16-0417	1
39	NIPPLE	JM24-0010	1	79 NOZZLE	JM18-0021	1
40	HIGH PRESSURE HOSE	JM15-0310	1	- DECAL SET - JM-3055-0GV	JM71-0003	1

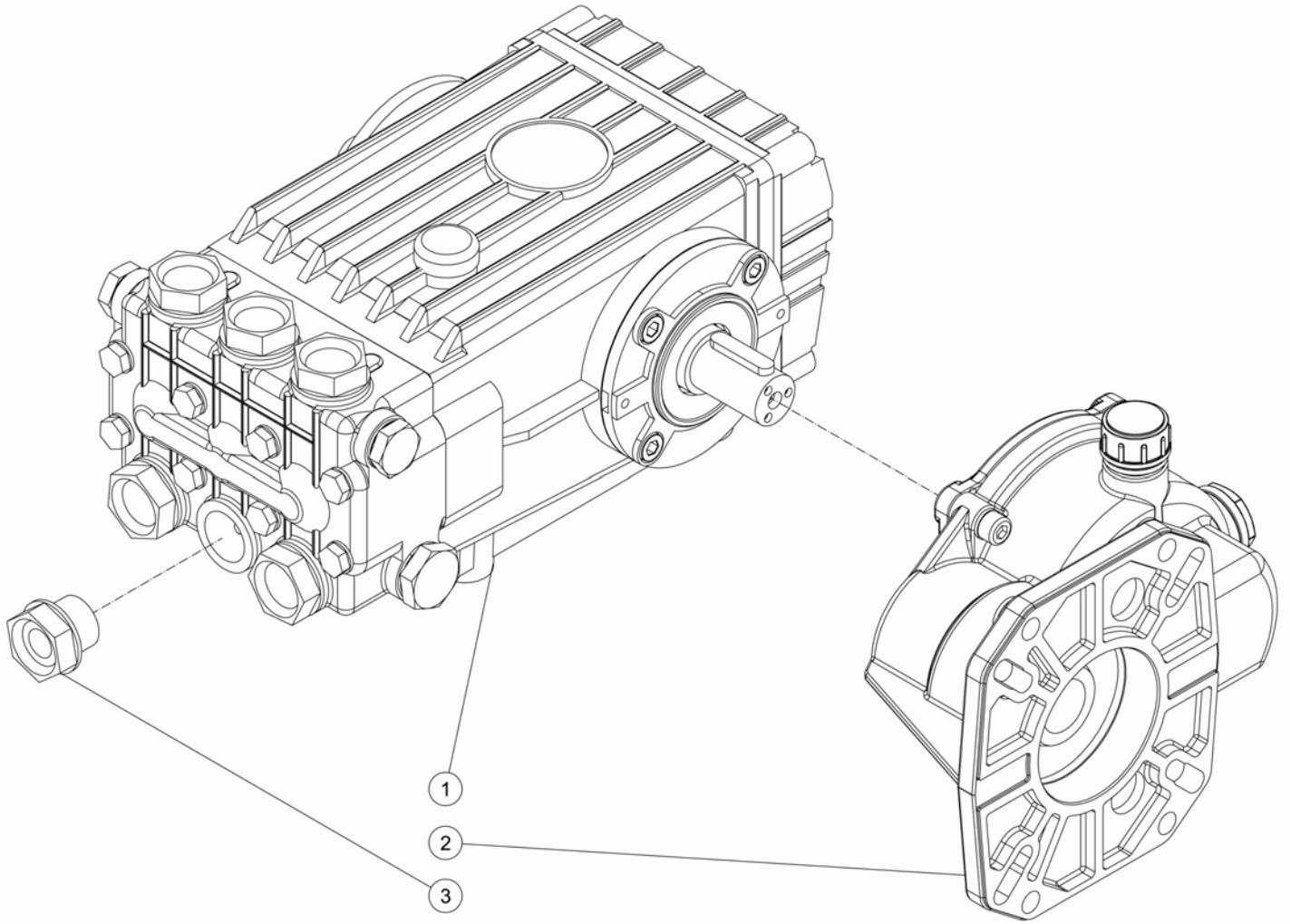
*MUST ORDER IN ONE FOOT LENGTHS



JM-3055 PUMP ASSEMBLY PARTS LIST

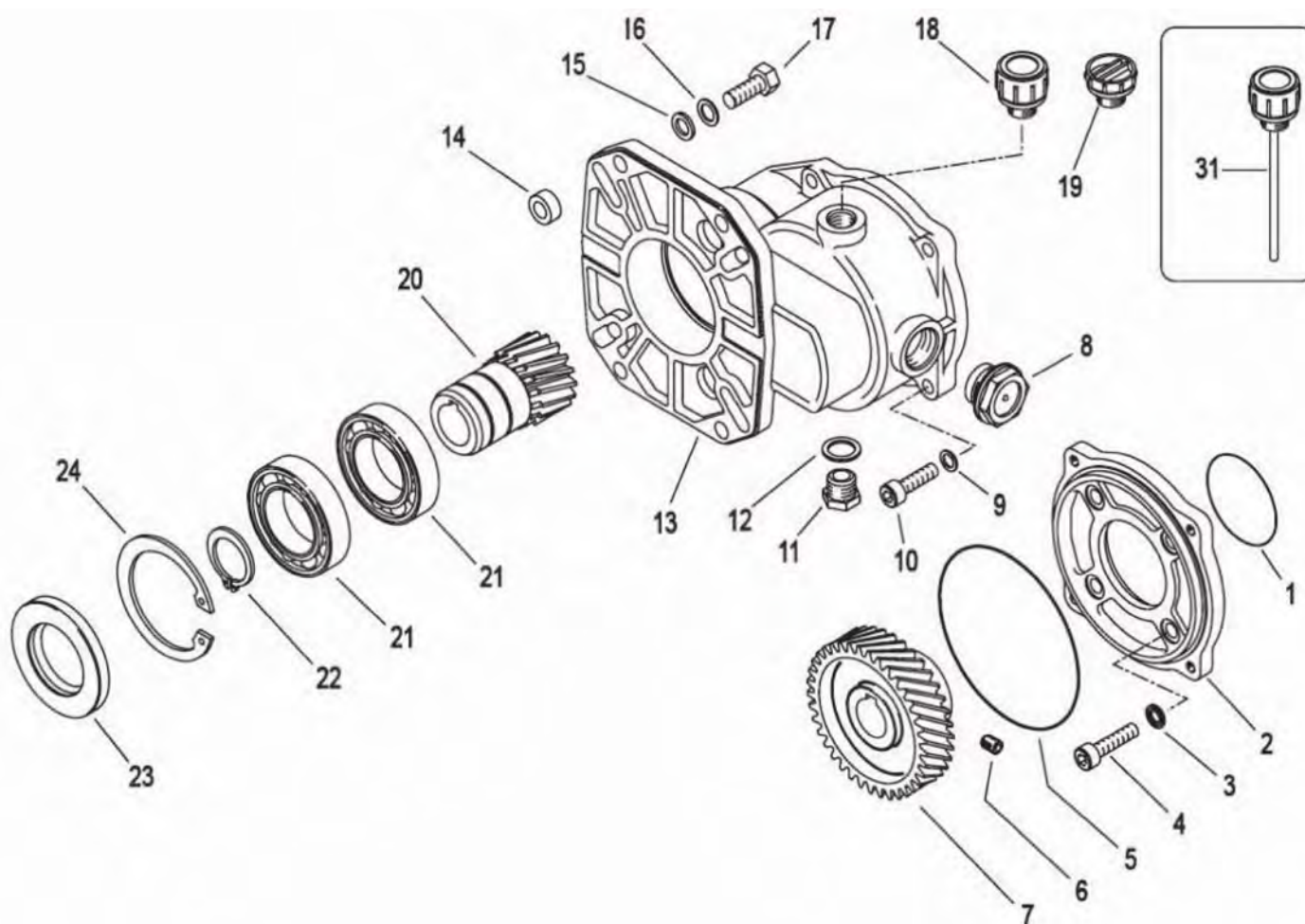
ITEM DESCRIPTION	PART #	QTY	ITEM DESCRIPTION	PART #	QTY
1 VALVE CAP	JM46-0889	6	27 CRANKSHAFT	JM46-0050	1
2 O-RING	JM25-0012	6	28 RETAINING RING	JM46-0103	6
3 VALVE ASSEMBLY	JM70-0009	6	29 CONNECTING ROD PIN	JM43-0032	3
4 MANIFOLD	JM46-0890	1	30 OIL LEVEL INDICATOR	JM46-0114	1
5 WASHER	JM28-1039	8	31 PLUG	JM39-0017	1
6 BOLT	JM27-8185	8	32 O-RING	JM25-0014	4
7 WASHER	JM28-1038	2	33 BOLT	JM27-8404	5
8 PLUG	JM39-0019	2	34 CRANKCASE OPEN COVER	JM46-0295	1
9 WASHER	JM28-1002	2	35 O-RING	JM25-0339	1
10 PLUG	JM39-0018	2	36 BOLT	JM27-8435	6
11 HEAD RING	JM70-0030	3	37 LOCKWASHER	JM29-0154	6
12 V-PACKING SUPPORT	JM26-0098	3	38 CONNECTING ROD	JM46-0051	3
13 O-RING	JM25-0207	3	39 PISTON ROD	JM46-0056	3
14 HIGH PRESSURE INTERMEDIATE SEAL RETAINER	JM46-0659	3	40 SLINGER WASHER	JM46-0146	3
15 LOW PRESSURE SEAL - 20mm	N/A SEP	3	41 PLUNGER	JM46-0052	3
16 LOW PRESSURE SEAL RETAINER	JM46-0057	3	42 BACK-UP RING	JM46-0109	3
17 O-RING	JM25-0015	3	43 WASHER	JM28-0400	3
18 OIL SEAL	JM26-0047	3	44 NUT / PISTON	JM46-0069	3
19 BUSHING	JM9-0029	3	45 CRANKCASE	JM46-0047	1
20 BOLT	JM27-8431	8	46 OIL DIP STICK	JM46-0144	1
21 CRANKCASE COVER	JM46-0296	1	47 CRANKCASE COVER	JM46-0336	1
22 SHIM	JM46-0113	1	KIT VALVES	JM70-0009	
23 OIL SEAL	JM26-0049	1	KIT HEAD RING	JM70-0030	
24 O-RING	JM25-0013	2	KIT INTERMEDIATE RETAINER	JM70-0148	
25 BEARING	JM48-0012	2	KIT V-PACKING	JM70-0147	
26 KEY	JM43-0048	1	KIT V-PACKING ASSEMBLY	JM852-0122	





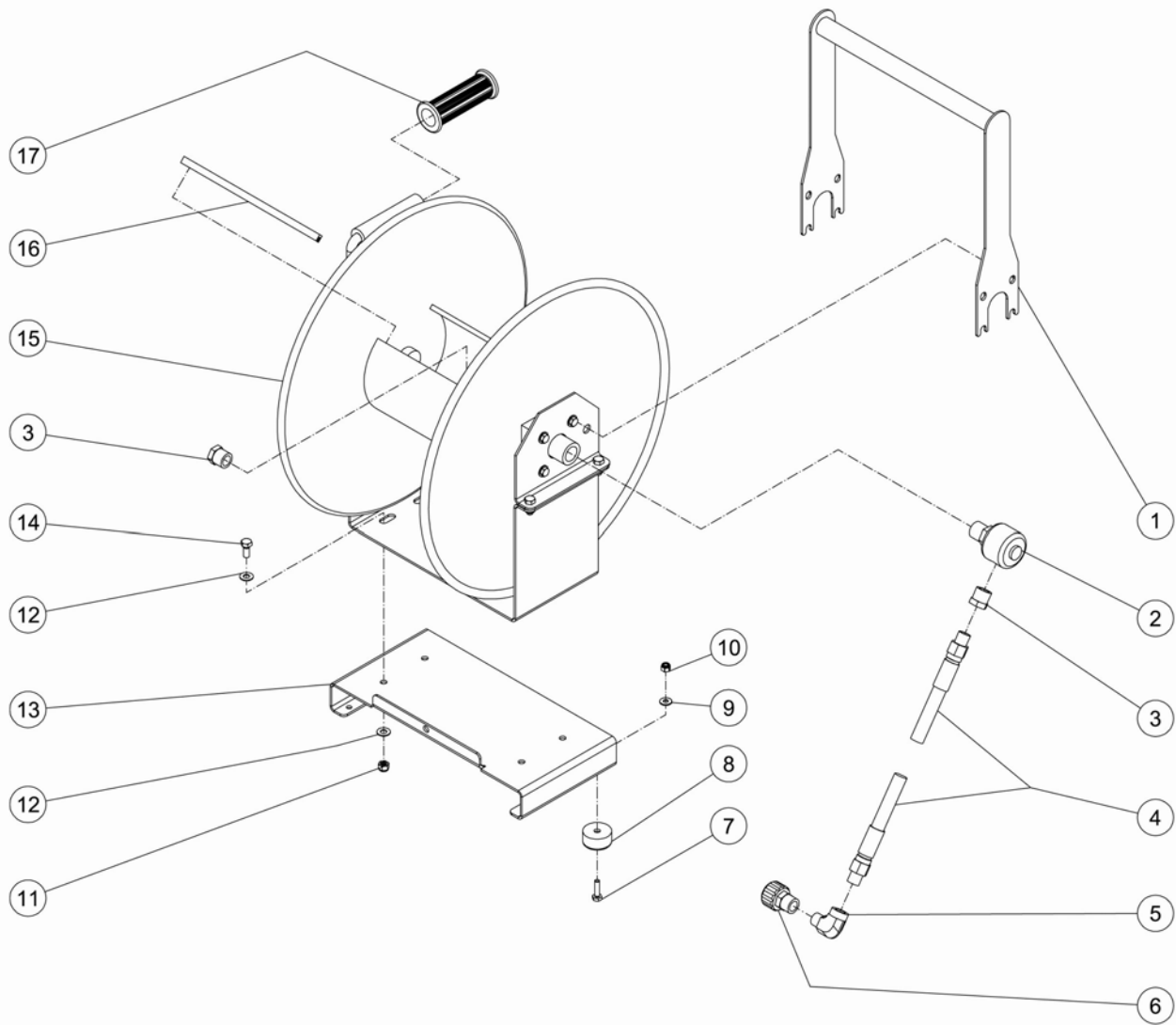
JM-3055 PUMP/GEARBOX PARTS LIST

ITEM	DESCRIPTION	PART #	QTY
1	PUMP	JM3-0202	1
2	GEARBOX	JM47-0032	1
3	VALVE CAP	JM46-1427	1



JM-3055 GEARBOX PARTS LIST

ITEM	DESCRIPTION	PART #	QTY	ITEM DESCRIPTION	PART #	QTY	
1	O-RING	JM25-0158	1	14	SPACER	JM46-1474	4
2	PUMP FLANGE	JM46-1472	1	15	WASHER	JM28-0139	4
3	SEALING WASHER	JM28-0137	4	16	LOCKWASHER	JM29-0155	4
4	SCREW	JM27-8434	4	17	SCREW	JM27-0119	4
5	O-RING	JM25-0650	1	18	OIL PLUG VENTED	JM46-1475	1
6	SET SCREW	JM27-9606	1	19	OIL PLUG NON-VENTED	JM46-1476	1
7	RING GEAR	JM47-1473	1	20	PINION GEAR	JM47-0038	1
8	OIL SIGHT GLASS	JM46-1473	1	21	BALL-BEARING	JM48-0092	1
9	LOCKWASHER	JM29-0154	4	22	SNAP RING	JM46-1477	1
10	SCREW	JM27-8433	4	23	SEAL RING	JM26-0380	1
11	PLUG	JM39-0205	1	24	SNAP RING	JM46-1478	1
12	WASHER	JM28-0138	1	31	OIL DIPSTICK	JM46-1479	1
13	GEARBOX CASE	JM47-0037	1				



JM-3055 HOSE REEL PARTS LIST

ITEM	DESCRIPTION	PART #	QTY	ITEM DESCRIPTION	PART #	QTY	
1	HANDLE	JM7-0229A01	1	10	LOCKNUT	JM30-0155	4
2	1/2" SWIVEL	JM24-0336	1	11	LOCKNUT	JM30-0157	4
3	REDUCER	JM24-0282	2	12	WASHER	JM28-0003	8
4	HOSE	JM15-0311	1	13	HOSE REEL STAND	JM20-1221A01	1
5	ELBOW	JM24-0105	1	14	BOLT	JM27-0066	4
6	SCREW CONNECT	JM23-0490	1	15	HOSE REEL - 18"	JM50-0192	1
7	SCREW	JM27-0016	4	16	EDGING *(ONE FOOT REQUIRED)	JM33-0020	2
8	ISOLATOR	JM14-0069	4	17	HANDLE GRIP	JM7-0167	1
9	WASHER	JM28-0002	4				

*MUST ORDER IN ONE FOOT LENGTHS

**General Wire Spring Co,
1101 Thompson Avenue
McKees Rocks, PA 15136**

412-771-6300 www.drainbrain.com