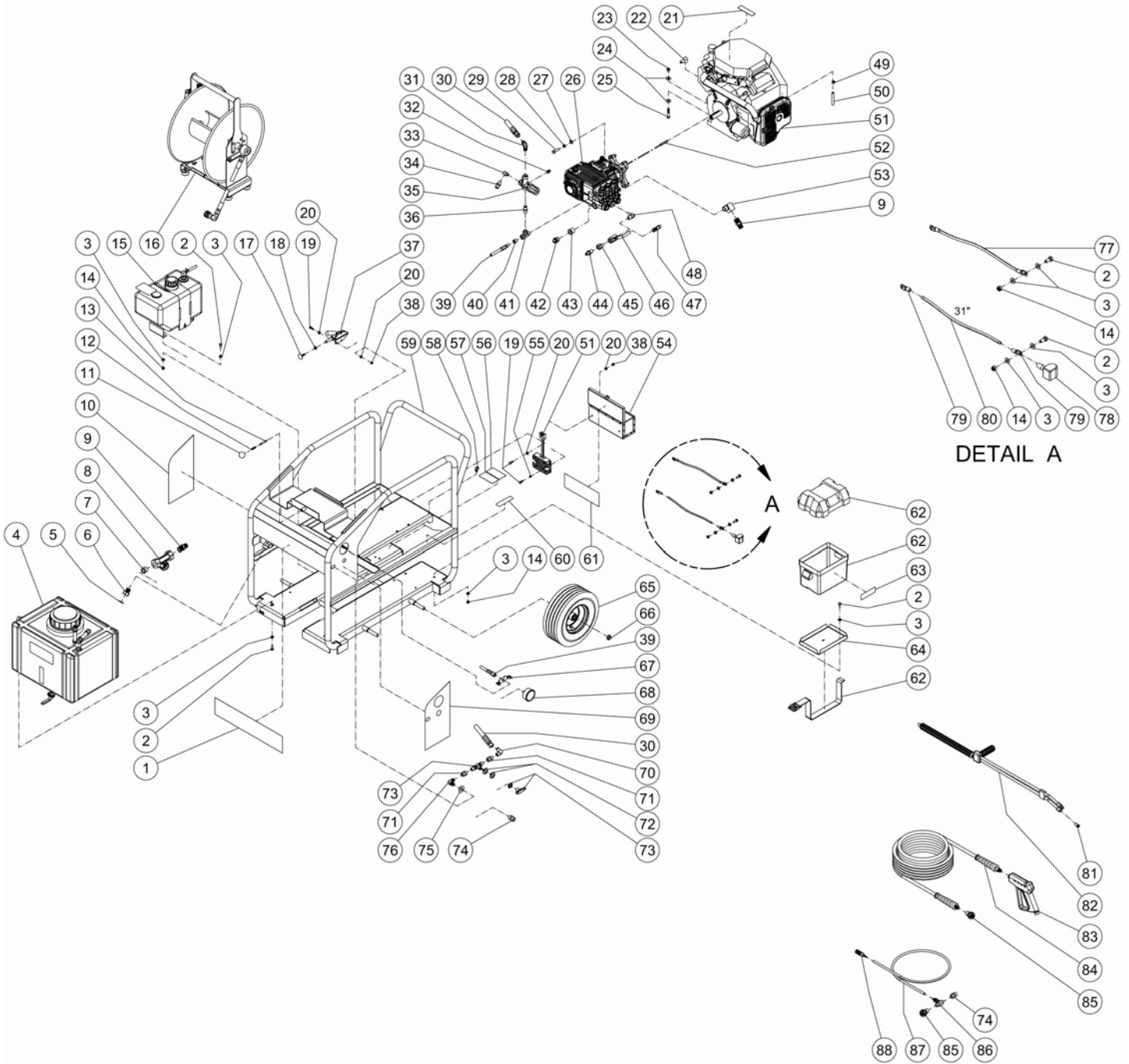
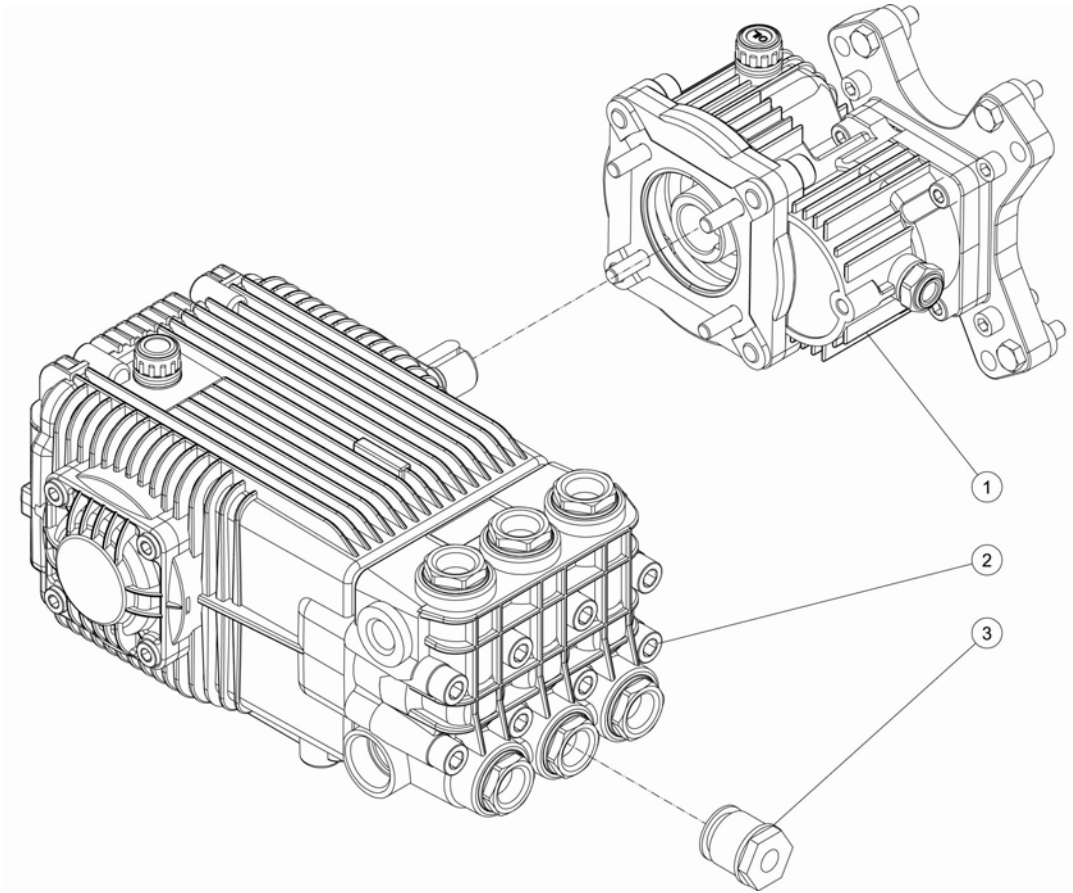


JM-3080 PARTS LIST
(Drawing on next page)

ITEM	DESCRIPTION	PART #	QTY	ITEM DESCRIPTION	PART #	QTY
1	DECAL - JM-3080 FRONT PANEL (SEE 71-0004)	N/A	1	46 BALL VALVE	JM22-0461	1
2	BOLT	JM27-0066	10	47 HANDLE GRIP	JM7-0227	1
3	WASHER	JM28-0003	18	48 ELBOW	JM24-0118	1
4	WATER TANK ASSY - JM-3080	WATER TANK ASSY	1	49 CLAMP WORM	JM42-0004	1
5	GARDEN HOSE GASKET	JM26-0001	1	50 FUEL HOSE *(THREE REQUIRED)	JM15-0008	1
6	SWIVEL	JM23-0095	1	51 ENGINE ASSY	JM851-0385	1
7	REDUCER	JM23-0023	1	52 KEY	JM43-0078	1
8	INLET FILTER	JM19-0238	1	53 ELBOW	JM23-0081	1
9	NIPPLE	JM23-0362	2	54 COMPONENT TOOL BOX	JM20-1213A64	1
10	DECAL - JM-3080 SIDE PANEL (SEE 71-0004)	N/A	1	55 LOCKWASHER	JM29-0006	2
11	BALL KNOB	JM7-0223	1	56 DECAL- SILVER STICKER	N/A	1
12	SPRING	JM49-0165	1	57 DECAL- EPA ONLY	N/A	1
13	SHOULDER SCREW	JM27-0895	1	58 HOSE CLAMP	JM33-0510	1
14	LOCKNUT	JM30-0157	8	59 FRAME - JM-3080	JM5-0307A64	1
15	FUEL TANK ASSY	JM-3080 FUEL TANK ASSY	1	60 DECAL - WARNING RISK OF BURNS (SEE 71-0004)	N/A	1
16	HOSE REEL	JM851-0390	1	61 DECAL - WARNING/OPERATION *(SEE 71-0004)	N/A	1
17	BOLT	JM27-9550	1	62 BATTERY BOX	JM33-0092	1
18	NUT	JM30-0004	1	63 DECAL - RISK OF INJURY (SEE 71-0004)	N/A	1
19	BOLT	JM27-0015	6	64 BATTERY RETAINER	JM20-0264A01	1
20	WASHER	JM28-0002	8	65 WHEEL	JM14-0006	4
21	DECAL - RISK OF BURNS (SEE 71-0004)	N/A	1	66 LOCKNUT	JM30-0117	4
22	TERMINAL PROTECTOR	JM33-0508	1	67 U CLAMP	JM13-0211	1
23	LOCKNUT	JM30-0159	4	68 PRESSURE GAUGE	JM22-0465	1
24	WASHER	JM28-0023	8	69 DECAL - JM-3080 CONTROL PANEL (SEE 71-0004)	N/A	1
25	BOLT	JM27-0121	4	70 ELBOW	JM23-0426	1
26	PUMP - 3-0300 W/GEARBOX	JM3-0368	1	71 COUPLER	JM23-0077	2
27	WASHER	JM28-0022	4	72 WASHER	JM28-0051	2
28	LOCKWASHER	JM29-0008	4	73 BALL VALVE	JM22-0462	1
29	BOLT	JM27-0119	4	74 SCREW NIPPLE	JM23-0494	2
30	HIGH PRESSURE HOSE	JM15-0254	1	75 WASHER	JM28-0050	3
31	ELBOW	JM24-0092	1	76 ELBOW	JM24-0131	1
32	PLUG	JM24-0009	1	77 CABLE	JM32-9113	1
33	ELBOW	JM23-0014	1	78 BATTERY CABLE COVER	JM33-0004	1
34	NIPPLE	JM23-0370	1	79 TERMINAL RING	JM32-0097	2
35	UNLOADER	JM8-0361	1	80 CABLE *(THREE REQUIRED)	JM32-0065	1
36	NIPPLE	JM24-0010	1	81 NOZZLE	JM18-0173	1
37	PUSH/PULL TOGGLE CLAMP	JM33-0400	1	82 DUAL LANCE	JM16-0417	1
38	LOCKNUT	JM30-0155	4	83 GUN	JM16-0001	1
39	HIGH PRESSURE HOSE	JM15-0310	1	84 HOSE	JM15-0146	1
40	REDUCER	JM23-0017	1	85 SCREW COUPLER	JM23-0490	2
41	STREET TEE	JM23-0058	1	86 CHEMICAL INJECTOR	JM50-0052	1
42	RELIEF VALVE	JM22-0005	1	87 DETERGENT HOSE	JM15-0021	1
43	REDUCER	JM24-0308	1	88 STRAINER	JM19-0050	1
44	NIPPLE	JM23-0361	1	DECAL SET - JM-3080-0AH	JM71-0004	1
45	REDUCER	JM23-0243	1			





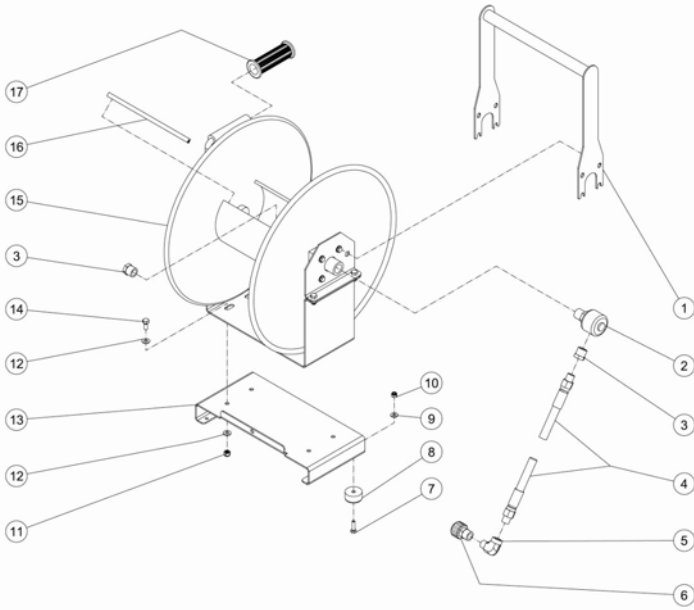
JM-3080 PUMP/GEARBOX PARTS LIST

ITEM	DESCRIPTION	PART #	QTY
1	GEARBOX	JM47-0031	1
2	PUMP	JM3-0300	1
3	VALVE CAP	JM46-1430	1

JM-3080 PUMP ASSEMBLY PARTS LIST
(Drawing on next page)

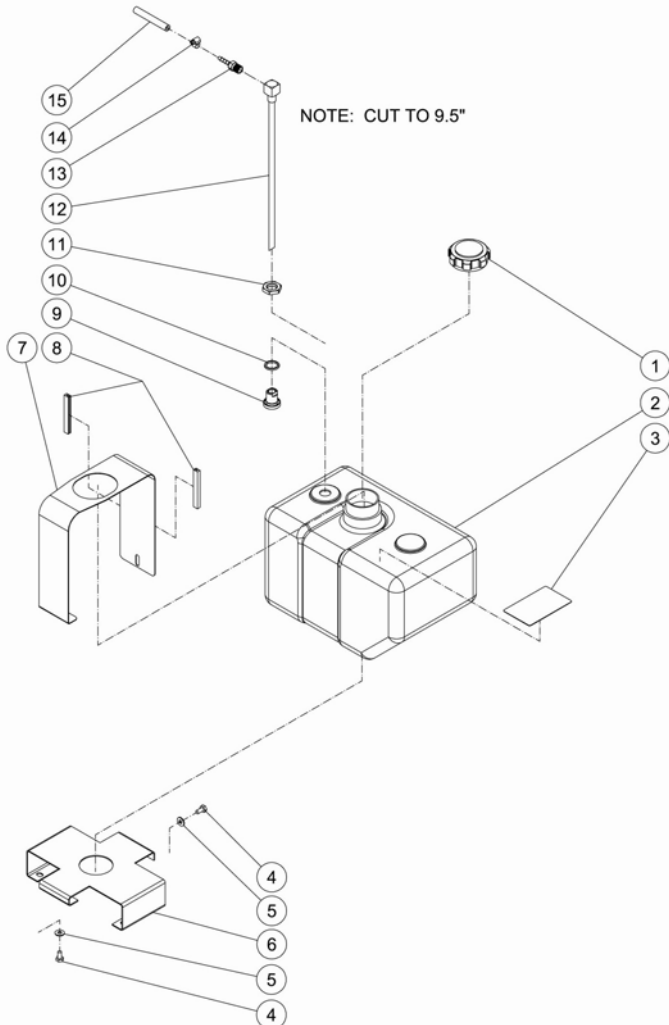
ITEM	DESCRIPTION	PART #	QTY	ITEM DESCRIPTION	PART #	QTY
1	HEAD BOLT	JM27-8470	8	29 BEARING TAPERED ROLLER	JM48-0073	2
2	WASHER	JM29-0155	8	30 CON-ROD	JM46-0913	3
3	VALVE CAP	JM39-0242	6	31 CRANKSHAFT	-	1
4	RING	JM25-0647	6	32 KEY	JM43-0091	1
5	O-RING	JM25-0370	12	33 PUMP HOUSING	JM46-0911	1
6	COMPLETE VALVE	-	6	34 VENTED OIL CAP	JM39-0204	1
7	PUMP HEAD	JM46-1463	1	35 OIL SIGHT GLASS	JM46-0670	1
8	O-RING	JM25-0648	1	36 SNAP RING	JM46-0671	1
9	PLUG	JM39-0243	1	37 O-RING	JM25-0513	1
10	PLUG	JM39-0203	3	38 BOLT	JM27-8888	6
11	O-RING	JM25-0510	3	39 COMPLETE COVER	JM46-0912	1
12	HIGH PRESSURE PACKING W/ RING	-	3	40 CONTRAST DISC	JM46-0824	1
13	FRONT PISTON GUIDE	-	3	41 O-RING	JM25-0370	1
14	LOW PRESSURE SEAL	-	3	42 OIL SEAL	JM26-0243	1
15	REAR PISTON GUIDE	-	3	43 OIL SEAL	JM26-0242	3
16	O-RING	JM25-0511	3	47 OPEN BEARING SUPPORT	JM46-0909	1
17	NUT	-	3	51 SLIT O-RING	-	3
18	WASHER	-	3	60 COMPLETE PUMP HEAD	-	1
19	PISTON	-	3	75 OIL SIGHT GLASS	JM46-0926	1
20	O-RING	JM25-0393	3	76 O-RING	JM25-0514	1
21	SLINGER	-	3	77 CONTRAST DISC	JM46-0925	1
22	BACK-UP RING	-	3	78 SPRING RETAINER	JM46-0924	1
23	GUIDING PISTON	JM46-1464	3	79 CON-ROD BOLT	JM27-9605	6
24	PISTON PIN	JM46-0914	3	80 LOCKWASHER	JM29-1017	6
25	O-RING	JM25-0512	2	- KIT - VALVES (INCL. ITEM #S: 5, 6)	JM70-0584	-
26	SHIM (QTY VARIES)	-		- KIT - WATER SEALS (INCL. ITEM #S: 12, 14, 16, 51)	JM70-0585	-
27	SIDE COVER W/ SIGHT GLASS	JM46-0918	1	- KIT - OIL SEALS (INCL. ITEM #S: 26, 37, 42, 43)	JM70-0586	-
28	BOLT	JM27-8884	8	- KIT - PISTON GUIDES (INCL. ITEM #S: 13,15)	JM70-0587	-

JM-3080 HOSE REEL PARTS LIST



ITEM	DESCRIPTION	PART #	QTY
1	HANDLE	JM7-0229A01	1
2	1/2" SWIVEL	JM24-0336	1
3	REDUCER	JM24-0282	2
4	HOSE	JM15-0311	1
5	ELBOW	JM24-0105	1
6	SCREW CONNECT	JM23-0490	1
7	SCREW	JM27-0016	4
8	ISOLATOR	JM14-0069	4
9	WASHER	JM28-0002	4
10	LOCKNUT	JM30-0155	4
11	LOCKNUT	JM30-0157	4
12	WASHER	JM28-0003	8
13	HOSE REEL STAND	JM20-1221A01	1
14	BOLT	JM27-0066	4
15	HOSE REEL - 18"	JM50-0192	1
16	EDGING *(ONE FOOT REQUIRED)	JM33-0020	2
17	HANDLE GRIP	JM7-0167	1

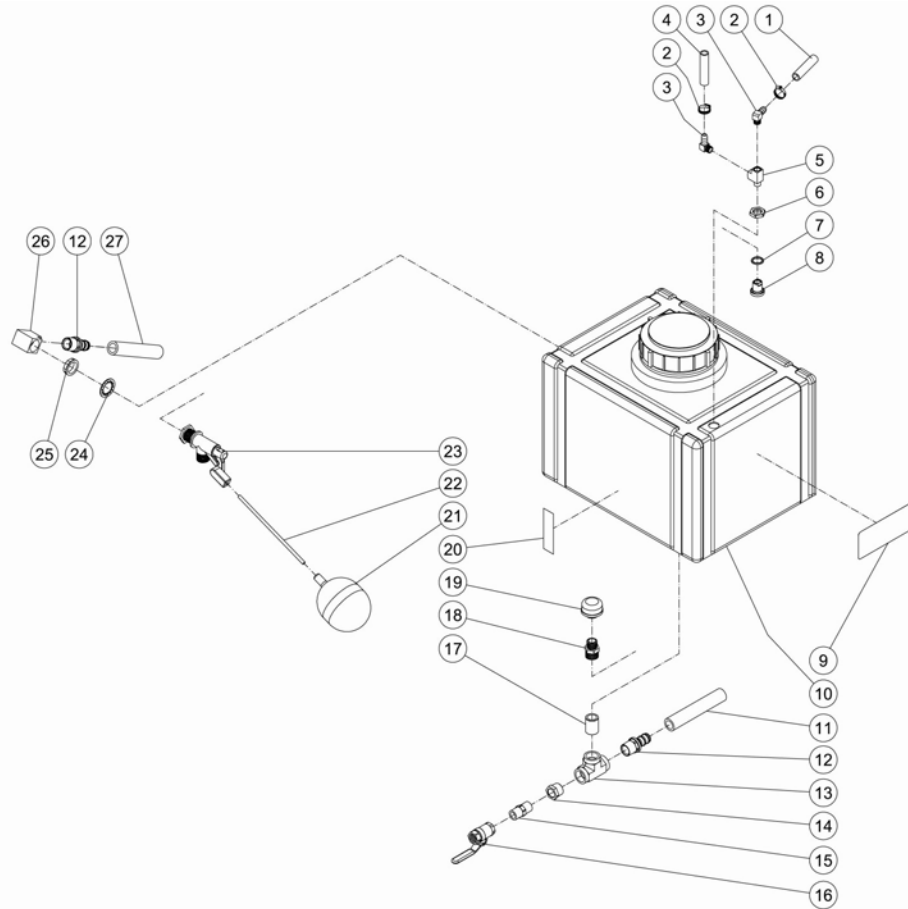
*MUST ORDER IN ONE FOOT LENGTHS



JM-3080 FUEL TANK PARTS LIST

ITEM	DESCRIPTION	PART #	QTY
1	FUEL CAP	JM12-0033	1
2	FUEL TANK	JM12-0233	1
3	DECAL- CAUTION: GASOLINE ONLY (SEE 71-0004)	JM34-1180	1
4	BOLT	JM27-0014	2
5	WASHER	JM28-0002	2
6	GAS TANK STAND	JM20-1224A01	1
7	STRAP	JM20-1225A01	1
8	EDGING *(ONE FOOT REQUIRED)	JM33-0020	2
9	BULKHEAD FITTING	JM23-0408	1
10	O-RING	JM25-0427	1
11	NUT	JM23-0409	1
12	FUEL PICK-UP	JM33-0352	1
13	BARB	JM23-0051	1
14	CLAMP WORM	JM42-0004	1
15	FUEL HOSE *(THREE FEET REQUIRED)	JM15-0008	1

*MUST ORDER IN ONE FOOT LENGTHS



JM-3080 PUMP ASSEMBLY PARTS LIST

ITEM	DESCRIPTION	PART #	QTY	ITEM DESCRIPTION	PART #	QTY
1	HOSE BARB	JM23-0360	2	16	NIPPLE	JM23-0012
2	HOSE *(ONE FOOT REQUIRED)	JM15-0007	1	17	BALL VALVE	JM22-0278
3	HOSE CLAMP	JM42-0011	2	18	NIPPLE	JM23-0003
4	ELBOW	JM23-0119	2	19	NIPPLE	JM23-0082
5	HOSE *(TWO FEET REQUIRED)	JM15-0007	1	20	STRAINER	JM19-0203
6	TEE	JM23-0127	1	21	DECAL - TANK DRAIN (SEE 71-0004)	N/A
7	NUT	JM23-0409	1	22	DECAL - TANK WARNING (SEE 71-0004)	JM34-2640
8	O-RING	JM25-0427	1	23	FLOAT	JM22-0059
9	BULKHEAD FITTING	JM23-0408	1	24	BALL FLOAT STUD	JM31-3320
10	WATER TANK	JM12-0232	1	25	FLOAT VALVE	JM22-0317
11	HOSE BARB	JM23-0358	2	26	LOCKWASHER	JM29-0074
12	HOSE *(THREE FEET REQUIRED)	JM15-0033	1	27	LOCKNUT	JM23-0428
13	BARB	JM23-0008	2	28	ELBOW	JM23-0391
14	TEE	JM24-0312	1	29	HOSE *(THREE FEET REQUIRED)	JM15-0033
15	REDUCER	JM23-0023	1	*MUST ORDER IN ONE FOOT LENGTHS		

**General Wire Spring Co,
1101 Thompson Avenue
McKees Rocks, PA 15136**

412-771-6300 www.drainbrain.com