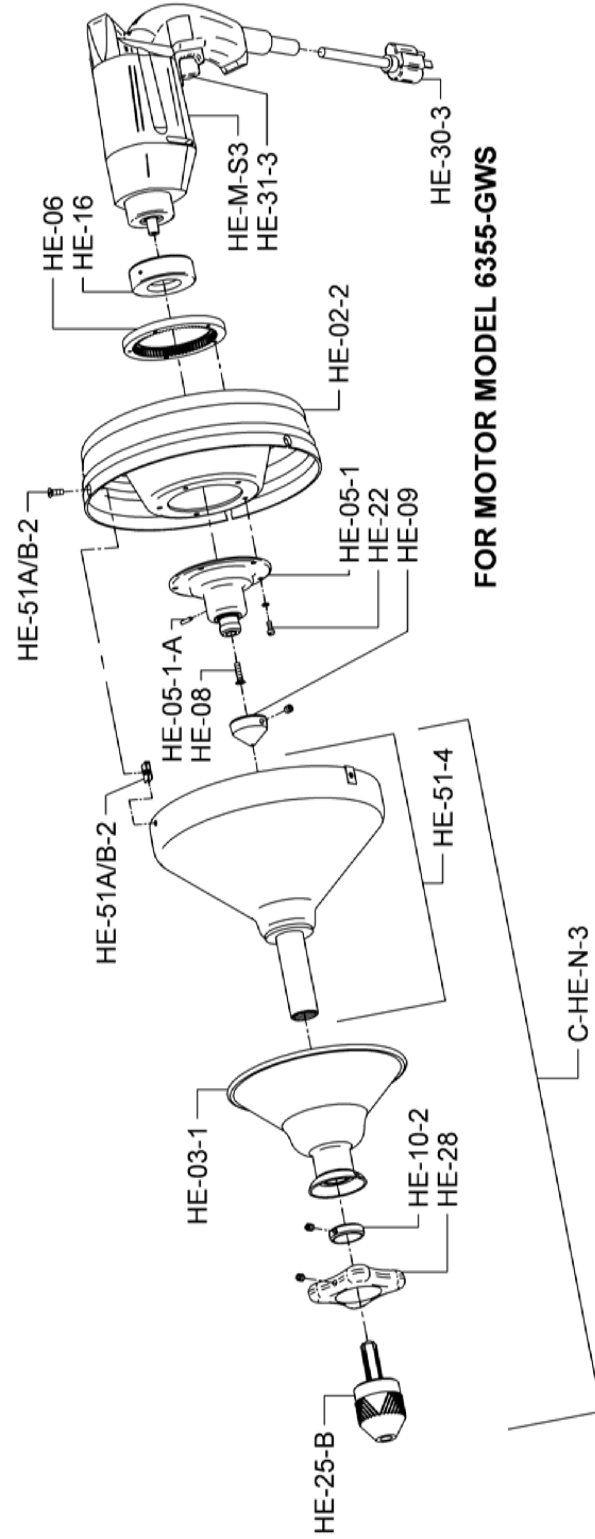
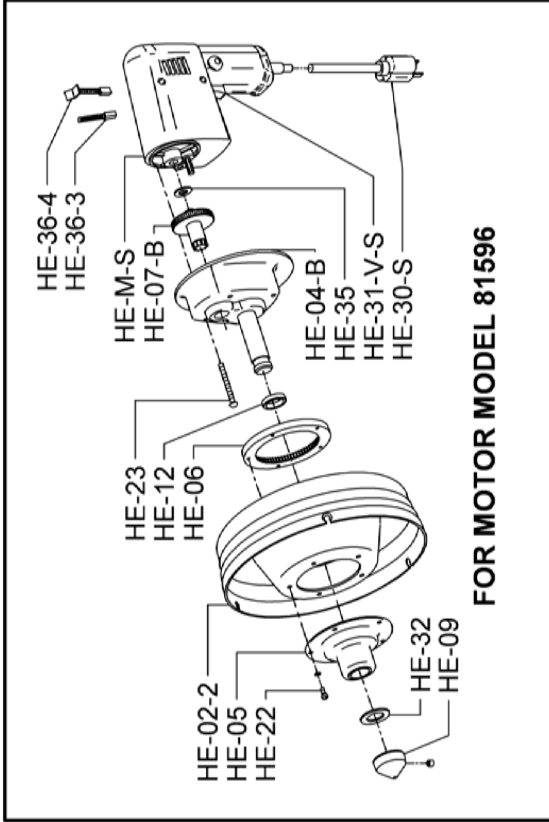
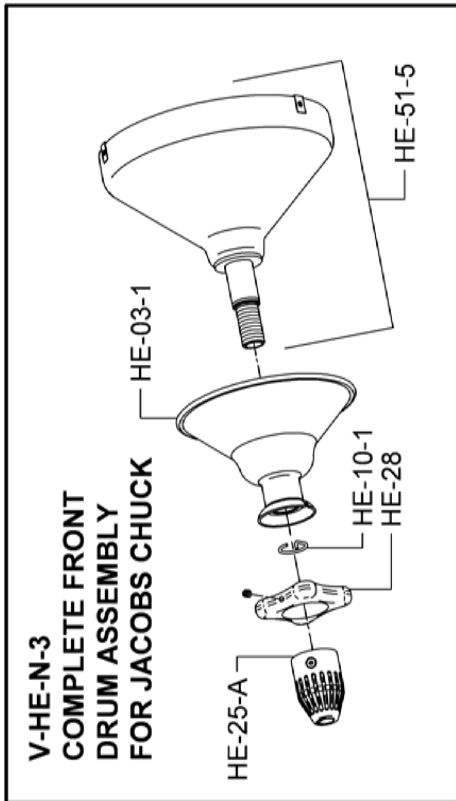


## HANDYLECTRIC PARTS LIST

CAT. NO.	DESCRIPTION	CAT. NO.	DESCRIPTION
HE-M-S	Skil Variable Speed Motor (Model #81596)	HE-23	Fillister Head Screws (4 per Set)
HE-M-S3	Skil Variable Speed Motor (Model #6355-GWS)	HE-25-A	Jacobs Chuck
V-HE-NE-3	Complete Front Assembly for Jacobs Chuck	HE-25-B	Collet Chuck
C-HE-N-3	Complete Front Assembly for Collet Chuck	* HE-25-28-A	Jacobs Chuck & Handle Assembly (Includes HE-25-B & HE-28)
* HE-51-5	Drum Front w/Flat Head Screws for Jacobs Chuck (HE-51-3) (Includes HE-51-A/B-2)	HE-25-28-B	Collet Chuck & Handle Assembly (Includes HE-25-B & HE-28)
HE-51-A/B-2	"U" Nuts & Flat Head Screws (3 per Set) (Use w/HE-51-4 & HE-51-5)	HE-28	Chuck Tightening Handle
HE-02-2	Drum Back (Serial #85359 & Up)	HE-30-S	2-Wire Cord Set for Skil Motor #6355-GWS
* HE-03-1	Plastic Grip Shield	HE-31-V-B	Trigger Switch Assembly - Discontinued
HE-04-A	Gear Case Body - Discontinued	HE-31-V-S	Trigger Switch Assembly for Skil Motor #81596
HE-04-B	Gear Case Body for Skil Motor #81596	HE-31-3	Trigger Switch Assembly for Skil Motor #6355-GWS
HE-05	Gear Case Cap for Skil Motor #81596	HE-32	Felt Washer
HE-05-1	Gear Case Cap & Shaft for Direct Drive Unit	HE-33-3	Armature for Skil Motor #6355-GWS
HE-05-1-A	Roll Pin	HE-35	Spacer Washer
HE-06	Internal Ring Gear	HE-36-2	Brush Spring & Brush - Discontinued
HE-07-A	Pinion and Spindle Gear Assembly - Discontinued	HE-36-3	Brush Spring & Brush (2) Skil Motor #81596, Type 2
HE-07-B	Pinion and Spindle Gear Assembly (for Skil Motor #81596)	HE-36-4	Integral Brush, Spring & Connector (2) Skil Motor #81596, Type 3
HE-08	Reverse Thread Screw for Direct Drive Unit	HE-36-5	Brush & Holder Set for Skil Motor #6355-GWS
HE-09	Beveled Collar w/Set Screw	HE-37	Left & Right Handle Cover Set for Skil Motor #81596
* HE-10-1	Lock Ring (for Jacobs Chuck)	HE-37-3	Left & Right Handle Cover Set for Skil Motor #6355-GWS
HE-10-2	Collar w/Safety Set Screw (for Collet Chuck)	HE-38	Motor Housing for Skil Motor #81596 - Discontinued
HE-12	Spacer Washer	HE-39-3	Holder for Brush & Spring Skil Motor #81596, Type 3
HE-16	Thrust Bearing for Motor #6355-GWS	HE-DECAL	Set of Safety Decals
HE-21	Sheet Metal Screws (6 per Set)	MCC	Carrying Case
HE-22	Machine Screws w/Lock Washers (5)		

\*Part Number V-HE-N-3 includes all \* parts.

# HANDYELECTRIC SCHEMATIC DIAGRAM



**IMPORTANT: When ordering, give Serial Number of Machine.**