

# GASOLINE-POWERED RODRUNNER

## Parts List and Diagrams

CAT. NO.	DESCRIPTION	CAT. NO.	DESCRIPTION
RDE-100	Frame Complete	RDE-301	5 HP Engine
RDE-101	Base Only with Axles	RDE-302	Large Sprocket (100-200 R.P.M.)
RDE-101-A	Axle (1)	RDE-302-1	Large Sprocket (200-400 R.P.M.)
RDE-102	Guide	RDE-303	Drive Chain (100-200 R.P.M.)
RDE-102-A	Bolts, Nuts and Washers	RDE-303-1	Drive Chain (200-400 R.P.M.)
RDE-106	Handle		
RDE-107-1	Pneumatic Tire (1)	RDE-310	Throttle Cable
RDE-107-A	Hat-type Push Nut (4)	RDE-315	Throttle Control Assembly
RDE-108	Engine Coupling Guard	RDE-315-A	Mounting Screws (2)
RDE-108-A	Screws for Coupling Guard (4)		
RDE-109	Chain Guard (100-200 RPM)	RDE-320	Engine Coupling
RDE-109-1	Chain Guard (200-400 RPM)	RDE-320-A	Coupling Sleeve
RDE-109-A	Screws for Gear Guard (5)		
		RDE-325	Hot Shift Transmission
RDE-200	Drive Assembly (100-200 R.P.M.)	RDE-326	Bolts, Nuts, Washers
RDE-200-1	Drive Assembly (200-400 R.P.M.)		
RDE-201	Bearing Housing	RDE-330	Transmission Control Handle
RDE-201-A	Rear Ball Bearing	RDE-330-A	Control Handle Knob
RDE-201-B	Front Bronze Bushing	RDE-330-B	Set Screw
RDE-202	Bolts, Nuts and Washers		
RDE-220	Drive Shaft	E-MRDC	Municipal Rod Drive Coupling
RDE-221	Pressure Plate	E-GCDC	Drive Coupling for "G" Cables
RDE-222	Friction Disc	E-LCDC	Drive Coupling for "L" Cables
RDE-223	Small Sprocket (100-200 R.P.M.)		
RDE-223-1	Small Sprocket (200-400 R.P.M.)	TB-RDE	Tool Box
RDE-224	Thrust Bearing Set		
RDE-225	Tension Spring		
RDE-226	Tension Adjusting Collar w/Screw		

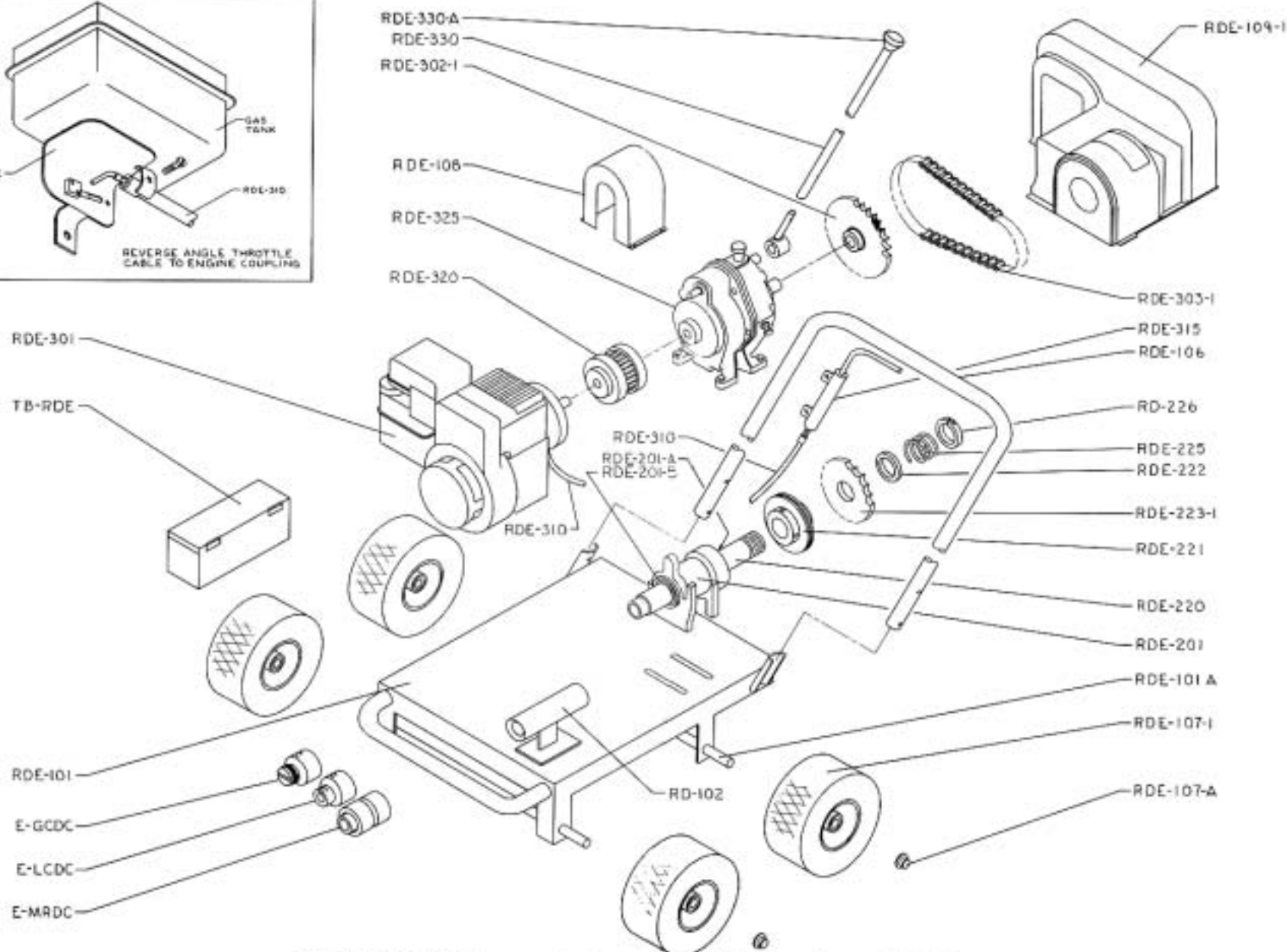
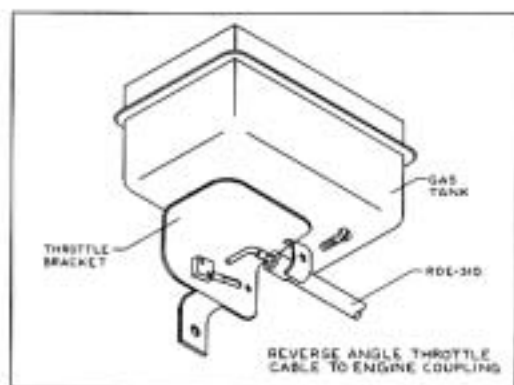
**General Wire Spring Co.**

1101 Thompson Avenue

412/771-6300

McKees Rocks, PA 15136 U.S.A.

# GASOLINE-POWERED RODRUNNER



**IMPORTANT: When ordering, give Serial Number of Machine.**